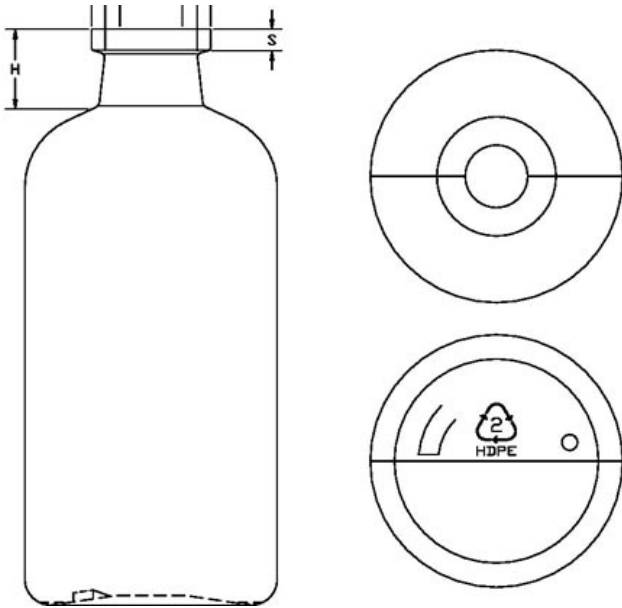


# N1004967

## 250ML WHITE SERUM ROUND HDPE WITH 30MM NECK



Carton Count  
255

Size  
250.00 ML

Overflow Capacity  
327.00 cc

Neck Diameter  
30.00

Material  
HDPE

Color  
WHITE

Shape  
ROUND

Item Weight  
28.00 g

Item Height x Width/Diameter  
5.53 in x 2.425 in

Blow Technology  
EXTRUSION

O.BERK® Co. provides a full range of packaging products and services for every aspect of the packaging process from conception and selection of a container and closure, through its decoration and delivery. We can help create broad differentiation through innovative packaging using either stock or designed components.