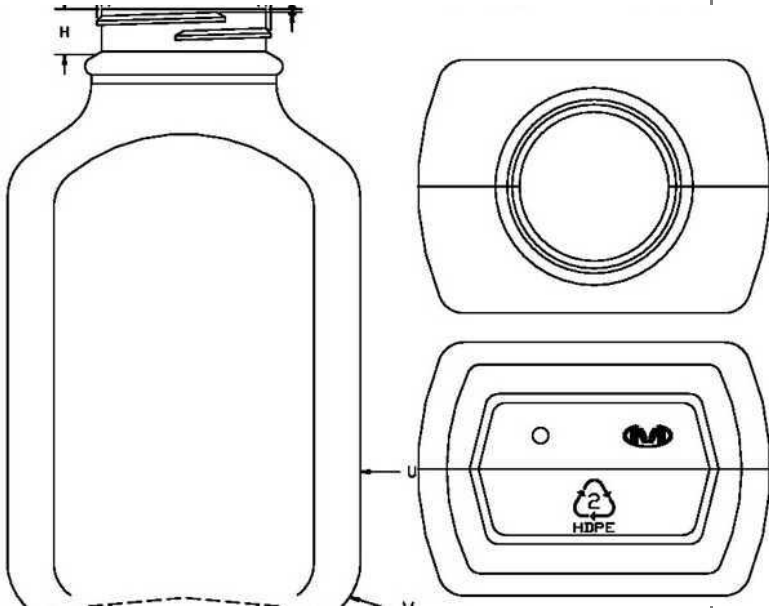


N1004871

500ML WHITE PHARMA OBLONG HDPE WITH 43-400 NECK FINISH



Carton Count
150

Size
500.00 ML

Overflow Capacity
550.00 cc

Neck Diameter
43.00

Neck Finish
400

Material
HDPE

Color
WHITE

Shape
OBLONG

Item Weight
41.50 g

Item Height x Width/Diameter
5.7 in x n/a in

Blow Technology
EXTRUSION

O.BERK® Co. provides a full range of packaging products and services for every aspect of the packaging process from conception and selection of a container and closure, through its decoration and delivery. We can help create broad differentiation through innovative packaging using either stock or designed components.