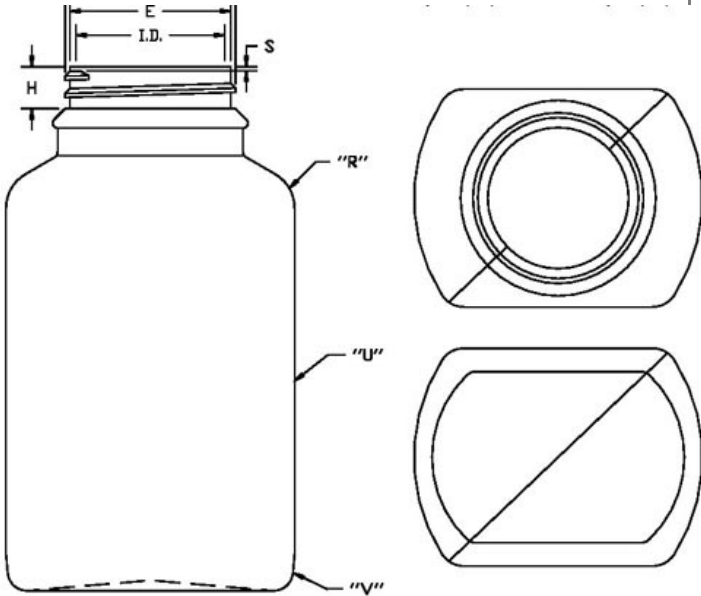


# N1004850

300ML WHITE PHARMA OBLONG HDPE WITH 43-400 NECK FINISH



Carton Count  
260

Size  
300.00 ML

Overflow Capacity  
355.00 cc

Neck Diameter  
43.00

Neck Finish  
400

Material  
HDPE

Color  
WHITE

Shape  
OBLONG

Item Weight  
25.00 g

Item Height x Width/Diameter  
5.051 in x n/a in

Blow Technology  
EXTRUSION

O.BERK® Co. provides a full range of packaging products and services for every aspect of the packaging process from conception and selection of a container and closure, through its decoration and delivery. We can help create broad differentiation through innovative packaging using either stock or designed components.