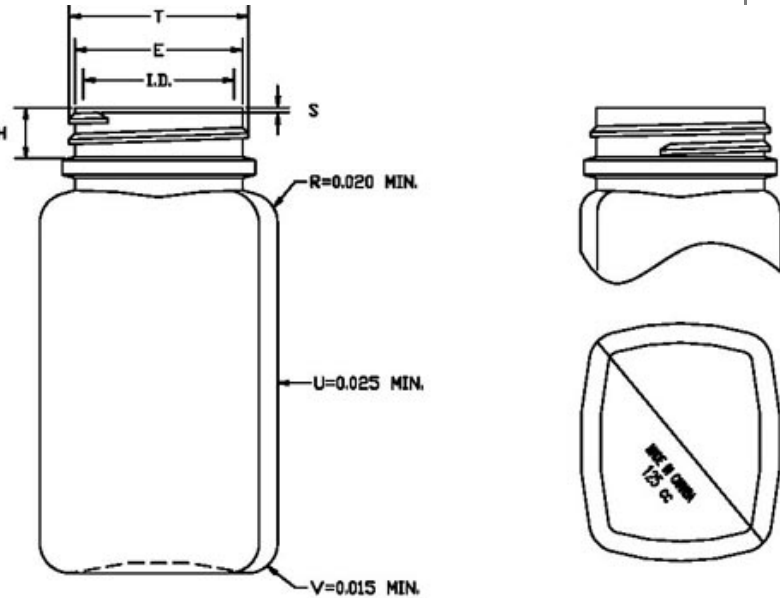


N1004841

125ML WHITE PHARMA OBLONG HDPE WITH 38-400 NECK FINISH



Carton Count
475

Net Volume
5.00 ML

Flow Capacity
5.00 cc

Neck Diameter
00

Neck Finish
)

Material
PE

Color
WHITE

Shape
OBLONG

Item Weight
15.00 g

Item Height x Width/Diameter
3.815 in x n/a in

Blow Technology
EXTRUSION

O.BERK® Co. provides a full range of packaging products and services for every aspect of the packaging process from conception and selection of a container and closure, through its decoration and delivery. We can help create broad differentiation through innovative packaging using either stock or designed components.