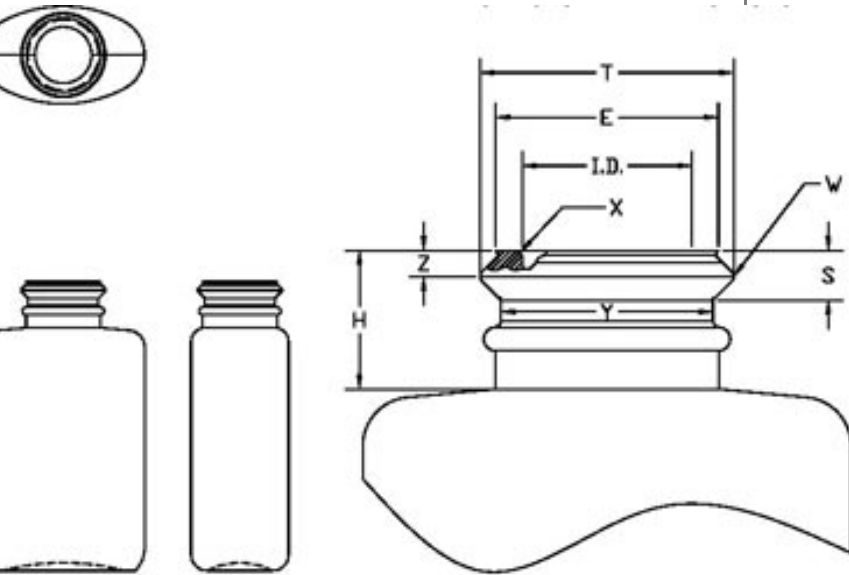


N1004826

0.5OZ WHITE OVAL HDPE WITH 18MM NECK



Z _____

Capacity _____

Diameter _____

Carton Count
2500

Item Weight
4.00 g

Item Height x Width/Diameter
2.225 in x n/a in

Blow Technology
EXTRUSION

O.BERK® Co. provides a full range of packaging products and services for every aspect of the packaging process from conception and selection of a container and closure, through its decoration and delivery. We can help create broad differentiation through innovative packaging using either stock or designed components.