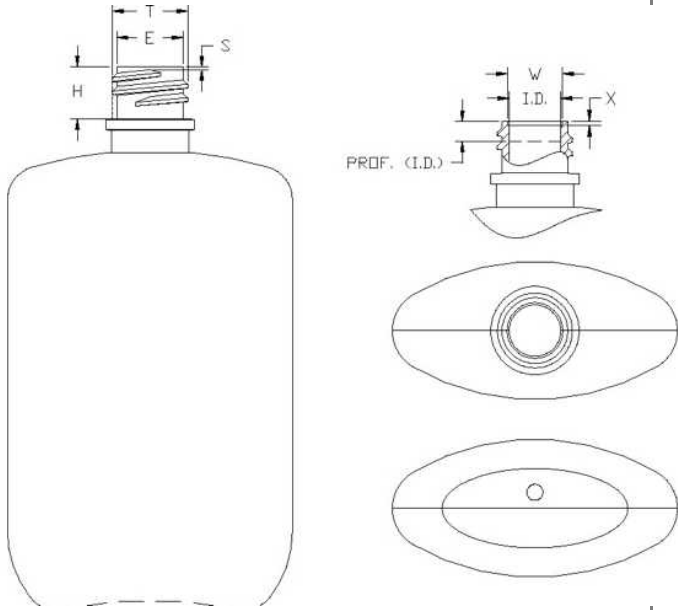


N1004805

150ML WHITE OVAL HDPE WITH 18-415 NECK FINISH



Carton Count
400

Size
150.00 ML

Overflow Capacity
164.00 cc

Neck Diameter
18.00

Neck Finish
415

Material
HDPE

Color
WHITE

Shape
OVAL

Item Weight
18.00 g

Item Height x Width/Diameter
5.055 in x n/a in

Blow Technology
EXTRUSION

O.BERK® Co. provides a full range of packaging products and services for every aspect of the packaging process from conception and selection of a container and closure, through its decoration and delivery. We can help create broad differentiation through innovative packaging using either stock or designed components.