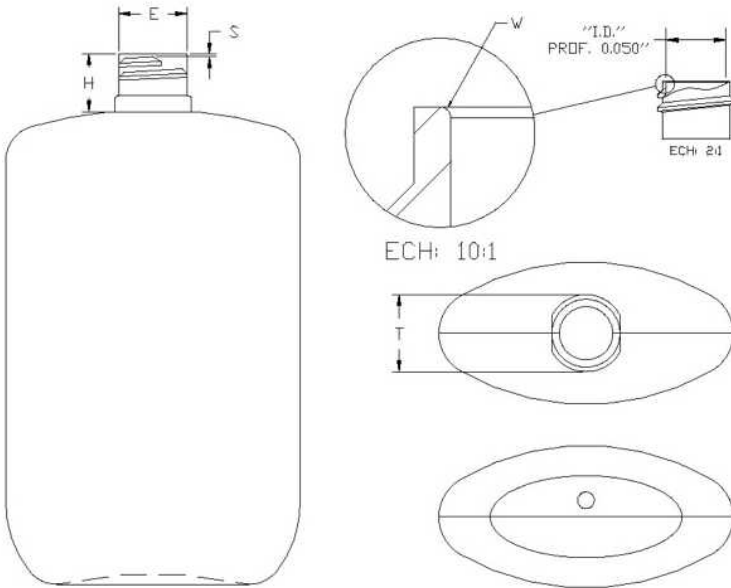


# N1004780

150ML WHITE OVAL HDPE WITH 18-410 NECK FINISH



Carton Count  
470

Size  
150.00 ML

Overflow Capacity  
168.00 cc

Neck Diameter  
18.00

Neck Finish  
410

Material  
HDPE

Color  
WHITE

Shape  
OVAL

Item Weight  
14.00 g

Item Height x Width/Diameter  
4.801 in x n/a in

Blow Technology  
EXTRUSION

O.BERK® Co. provides a full range of packaging products and services for every aspect of the packaging process from conception and selection of a container and closure, through its decoration and delivery. We can help create broad differentiation through innovative packaging using either stock or designed components.