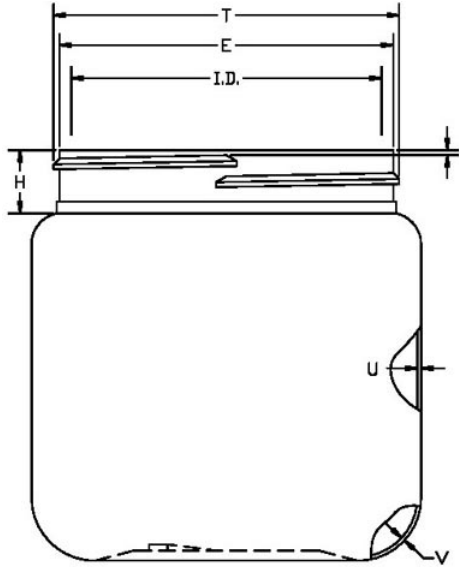


# N1004762

8OZ WHITE ROUND HDPE WITH 70-400 NECK FINISH



Carton Count  
252

Size  
8.00 OZ

Overflow Capacity  
345.00 cc

Neck Diameter  
70.00

Neck Finish  
400

Material  
HDPE

Color  
WHITE

Shape  
ROUND

Item Weight  
23.00 g

Item Height x Width/Diameter  
3.25 in x 3.08 in

Blow Technology  
EXTRUSION

O.BERK® Co. provides a full range of packaging products and services for every aspect of the packaging process from conception and selection of a container and closure, through its decoration and delivery. We can help create broad differentiation through innovative packaging using either stock or designed components.