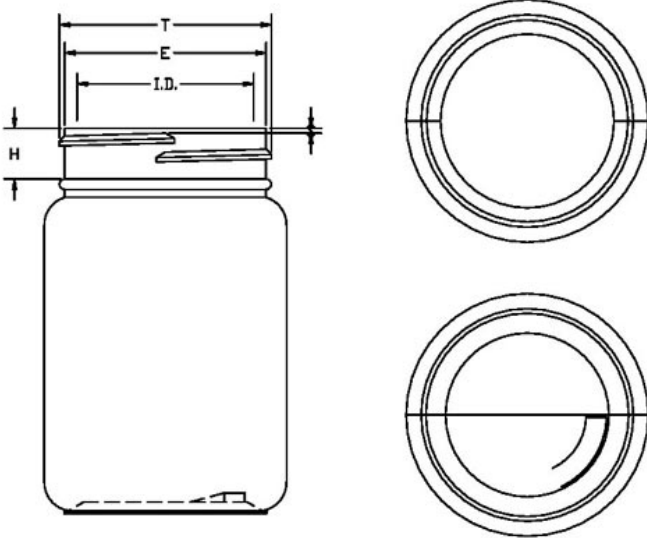


# N1004761

## 4OZ WHITE ROUND HDPE WITH 48-400 NECK FINISH



Carton Count  
425

Size  
4.00 OZ

Overflow Capacity  
165.00 cc

Neck Diameter  
48.00

Neck Finish  
400

Material  
HDPE

Color  
WHITE

Shape  
ROUND

Item Weight  
14.00 g

Item Height x Width/Diameter  
3.35 in x 2.125 in

Blow Technology  
EXTRUSION

O.BERK® Co. provides a full range of packaging products and services for every aspect of the packaging process from conception and selection of a container and closure, through its decoration and delivery. We can help create broad differentiation through innovative packaging using either stock or designed components.