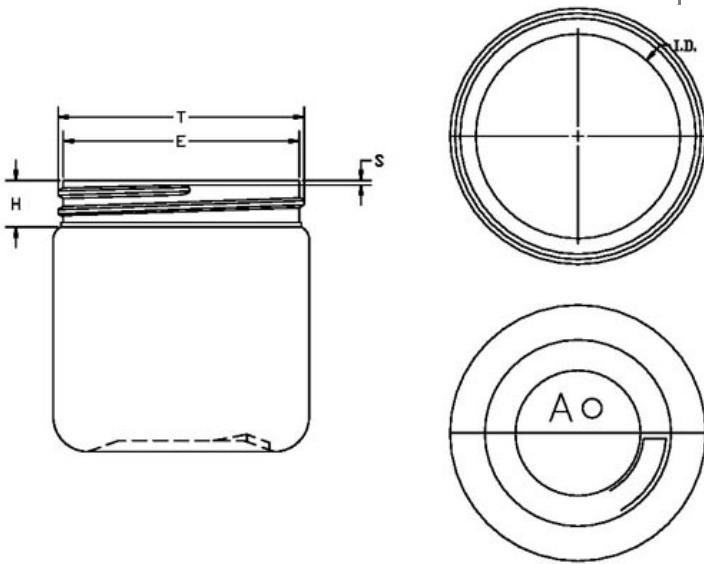


N1004756

100ML WHITE ROUND HDPE WITH 58-400 NECK FINISH



Carton Count
525

Size
100.00 ML

Overflow Capacity
145.00 cc

Neck Diameter
58.00

Neck Finish
400

Material
HDPE

Color
WHITE

Shape
ROUND

Item Weight
12.00 g

Item Height x Width/Diameter
2.435 in x 2.295 in

Blow Technology
EXTRUSION

O.BERK® Co. provides a full range of packaging products and services for every aspect of the packaging process from conception and selection of a container and closure, through its decoration and delivery. We can help create broad differentiation through innovative packaging using either stock or designed components.