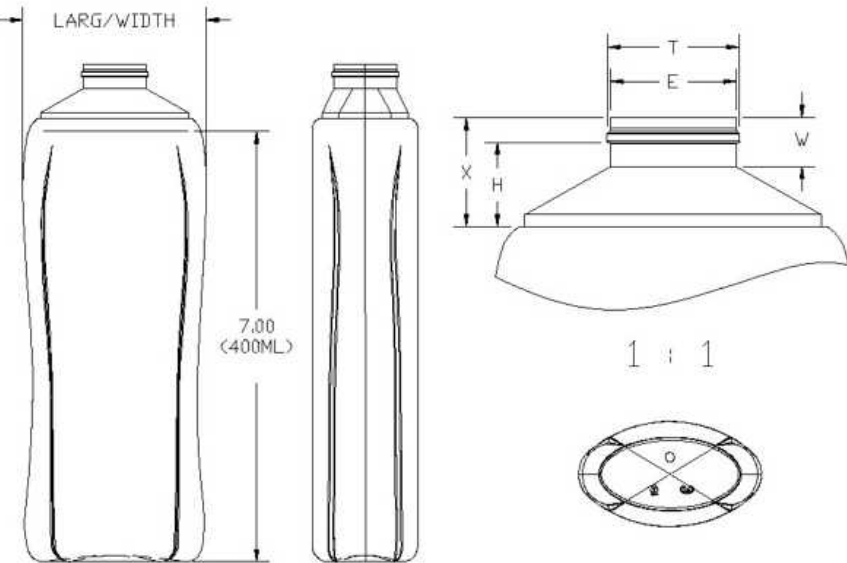


# N1004739

400ML WHITE TALL ROUNDED OVAL HDPE WITH 26MM NECK



Carton Count  
210

400 ML

Flow Capacity  
400 cc

Neck Diameter  
26

Material  
HDPE

Color  
TE

Weight  
29

Item Weight  
29.00 g

Item Height x Width/Diameter  
8.087 in x n/a in

Blow Technology  
EXTRUSION

O.BERK® Co. provides a full range of packaging products and services for every aspect of the packaging process from conception and selection of a container and closure, through its decoration and delivery. We can help create broad differentiation through innovative packaging using either stock or designed components.