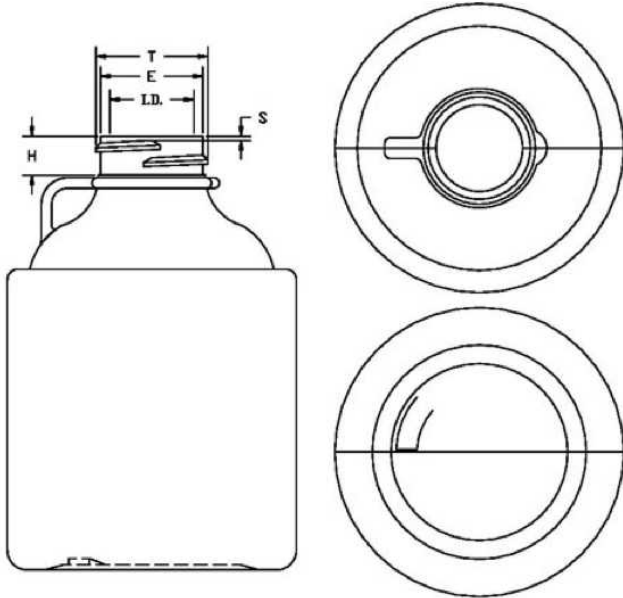


N1004731

250ML WHITE SYRUP ROUND HDPE WITH 28-400 NECK FINISH



Carton Count
260

Size
250.00 ML

Overflow Capacity
270.00 cc

Neck Diameter
28.00

Neck Finish
400

Material
HDPE

Color
WHITE

Shape
ROUND

Item Weight
30.00 g

Item Height x Width/Diameter
4.17 in x 2.781 in

Blow Technology
EXTRUSION

O.BERK® Co. provides a full range of packaging products and services for every aspect of the packaging process from conception and selection of a container and closure, through its decoration and delivery. We can help create broad differentiation through innovative packaging using either stock or designed components.