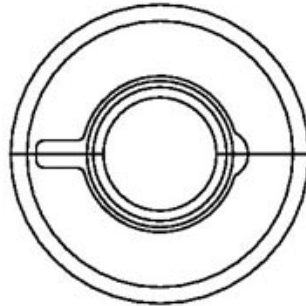
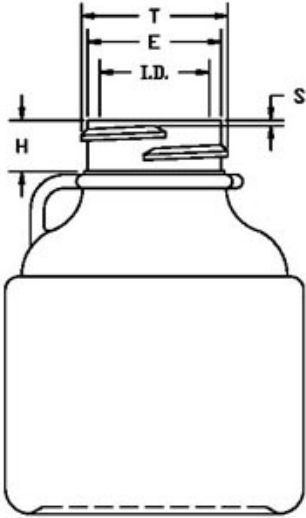


# N1004730

100ML WHITE SYRUP ROUND HDPE WITH 28-400 NECK FINISH



Carton Count  
600

Flow Capacity  
.00 ML

Flow Capacity  
.00 cc

Neck Diameter  
10

Neck Finish

Material  
PE

Blow Technology  
ITE

Shape  
ROUND

Item Weight  
17.00 g

Item Height x Width/Diameter  
2.9 in x 2.23 in

Blow Technology  
EXTRUSION

O.BERK® Co. provides a full range of packaging products and services for every aspect of the packaging process from conception and selection of a container and closure, through its decoration and delivery. We can help create broad differentiation through innovative packaging using either stock or designed components.