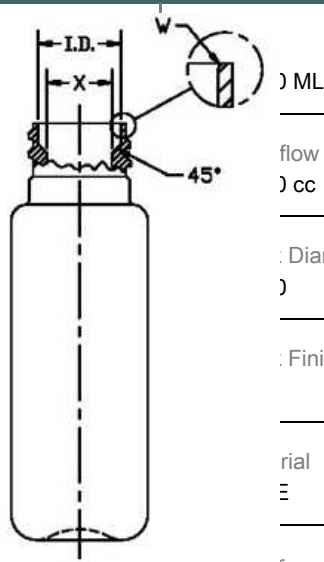
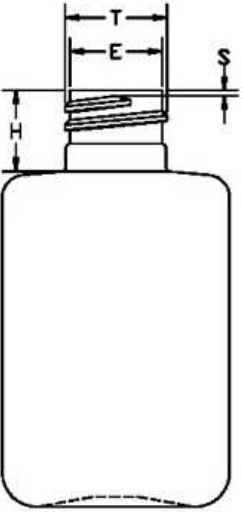


# N1004670

30ML WHITE OVAL LDPE WITH 18-410 NECK FINISH



Carton Count  
1300

\_\_\_\_\_ ) ML

\_\_\_\_\_ flow Capacity

\_\_\_\_\_ ) cc

\_\_\_\_\_ Diameter

\_\_\_\_\_ )

\_\_\_\_\_ Finish

\_\_\_\_\_

\_\_\_\_\_ rial

\_\_\_\_\_ E

\_\_\_\_\_

\_\_\_\_\_ TE

\_\_\_\_\_

Shape  
OVAL

\_\_\_\_\_

Item Weight  
8.00 g

\_\_\_\_\_

Item Height x Width/Diameter  
2.836 in x n/a in

\_\_\_\_\_

Blow Technology  
EXTRUSION

\_\_\_\_\_

O.BERK® Co. provides a full range of packaging products and services for every aspect of the packaging process from conception and selection of a container and closure, through its decoration and delivery. We can help create broad differentiation through innovative packaging using either stock or designed components.