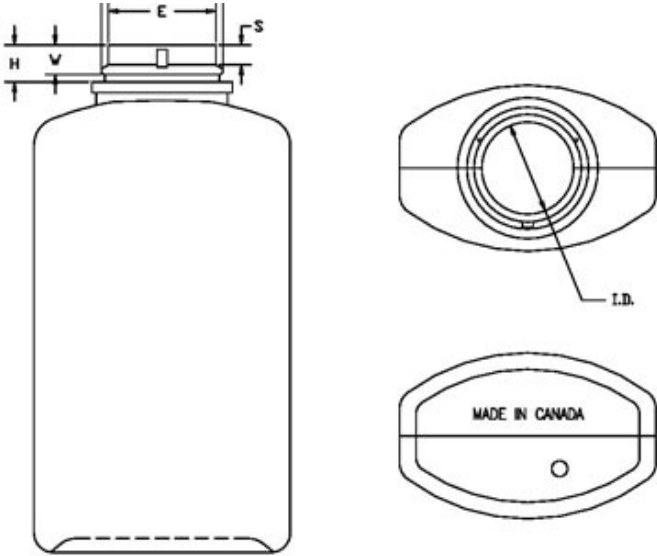


N1004664

4OZ WHITE POWDER OBLONG HDPE WITH 33-702 NECK FINISH



Carton Count
375

Size
4.00 OZ

Overflow Capacity
200.00 cc

Neck Diameter
33.00

Neck Finish
702

Material
HDPE

Color
WHITE

Shape
OBLONG

Item Weight
20.00 g

Item Height x Width/Diameter
4.81 in x n/a in

Blow Technology
EXTRUSION

O.BERK® Co. provides a full range of packaging products and services for every aspect of the packaging process from conception and selection of a container and closure, through its decoration and delivery. We can help create broad differentiation through innovative packaging using either stock or designed components.