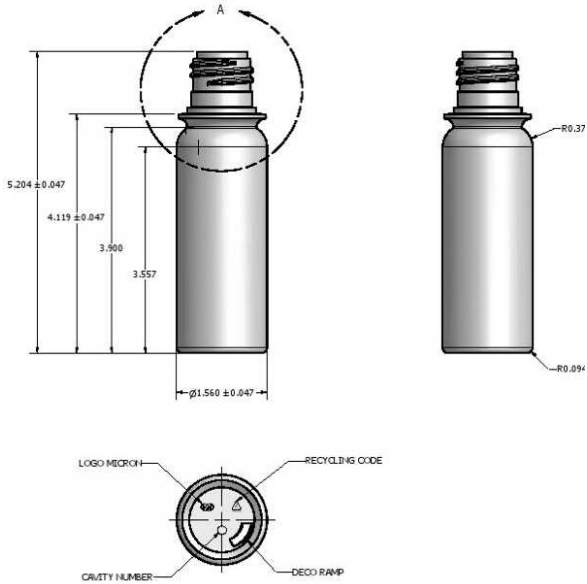


N1004623

100ML WHITE CYLINDER HDPE WITH 28MM NECK



Carton Count
500

Size
100.00 ML

Overflow Capacity
122.00 cc

Neck Diameter
28.00

Material
HDPE

Color
WHITE

Shape
CYLINDER

Item Weight
17.00 g

Item Height x Width/Diameter
5.204 in x 1.56 in

Blow Technology
EXTRUSION

O.BERK® Co. provides a full range of packaging products and services for every aspect of the packaging process from conception and selection of a container and closure, through its decoration and delivery. We can help create broad differentiation through innovative packaging using either stock or designed components.