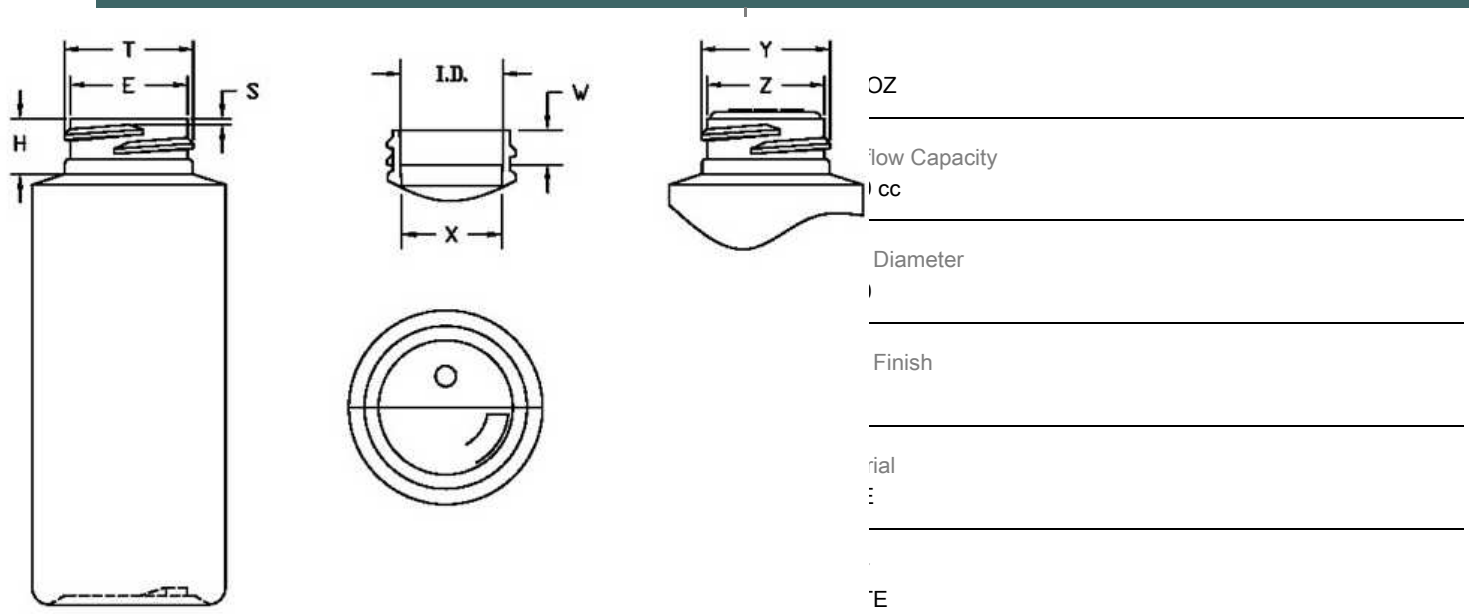


# N1004617

2OZ WHITE CYLINDER LDPE WITH 24-400 NECK FINISH



Carton Count  
800

OZ \_\_\_\_\_

Low Capacity \_\_\_\_\_

Capacity \_\_\_\_\_

Diameter \_\_\_\_\_

Finish \_\_\_\_\_

Material \_\_\_\_\_

\_\_\_\_\_

\_\_\_\_\_

\_\_\_\_\_

\_\_\_\_\_

Shape  
**CYLINDER**

Item Weight  
**10.00 g**

Item Height x Width/Diameter  
**3.509 in x 1.4 in**

Blow Technology  
**EXTRUSION**

O.BERK® Co. provides a full range of packaging products and services for every aspect of the packaging process from conception and selection of a container and closure, through its decoration and delivery. We can help create broad differentiation through innovative packaging using either stock or designed components.