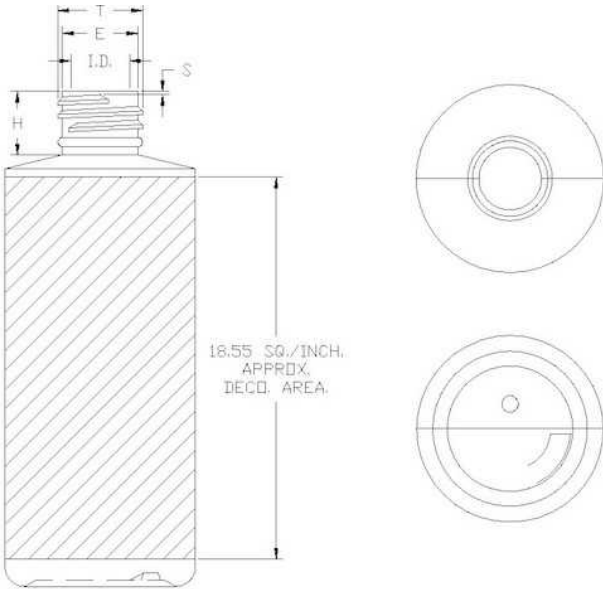


# N1004602

## 4OZ WHITE CYLINDER LDPE WITH 20-410 NECK FINISH



Carton Count  
**648**

Size  
**4.00 OZ**

Overflow Capacity  
**135.00 cc**

Neck Diameter  
**20.00**

Neck Finish  
**410**

Material  
**LDPE**

Color  
**WHITE**

Shape  
**CYLINDER**

Item Weight  
**12.00 g**

Item Height x Width/Diameter  
**4.465 in x 1.725 in**

Blow Technology  
**EXTRUSION**

O.BERK® Co. provides a full range of packaging products and services for every aspect of the packaging process from conception and selection of a container and closure, through its decoration and delivery. We can help create broad differentiation through innovative packaging using either stock or designed components.