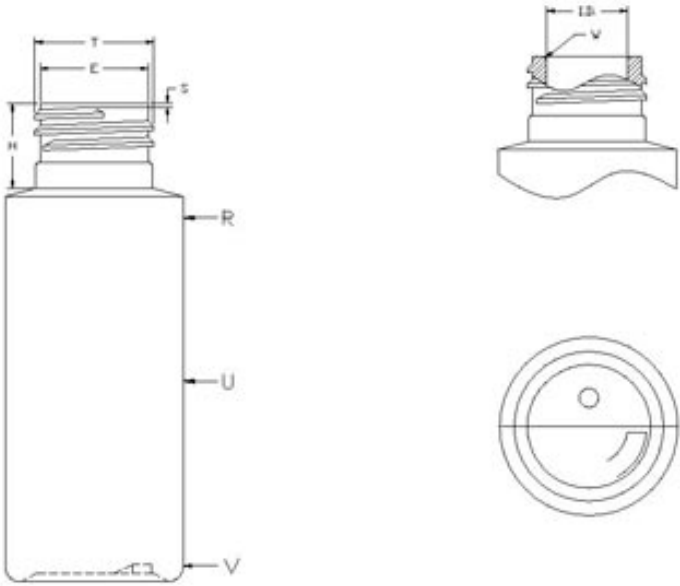


N1004586

2OZ WHITE CYLINDER HDPE WITH 24-410 NECK FINISH



Carton Count
850

Capacity
2 OZ

Flow Capacity
10 cc

Neck Diameter
10

Neck Finish

Material
PE

Color
WHITE

Shape
CYLINDER

Item Weight
9.00 g

Item Height x Width/Diameter
3.76 in x 1.4 in

Blow Technology
EXTRUSION

O.BERK® Co. provides a full range of packaging products and services for every aspect of the packaging process from conception and selection of a container and closure, through its decoration and delivery. We can help create broad differentiation through innovative packaging using either stock or designed components.