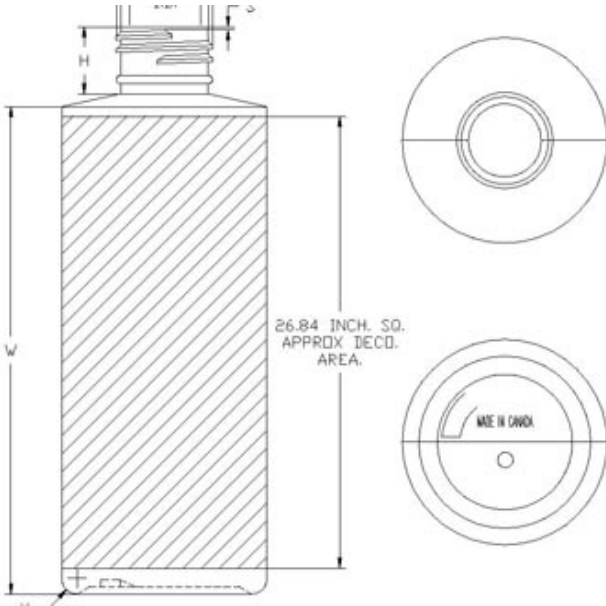


# N1004573

## 200ML WHITE CYLINDER LDPE WITH 24-410 NECK FINISH



Carton Count  
378

Size  
200.00 ML

Overflow Capacity  
230.00 cc

Neck Diameter  
24.00

Neck Finish  
410

Material  
LDPE

Color  
WHITE

Shape  
CYLINDER

Item Weight  
18.00 g

Item Height x Width/Diameter  
5.52 in x 1.99 in

Blow Technology  
EXTRUSION

O.BERK® Co. provides a full range of packaging products and services for every aspect of the packaging process from conception and selection of a container and closure, through its decoration and delivery. We can help create broad differentiation through innovative packaging using either stock or designed components.