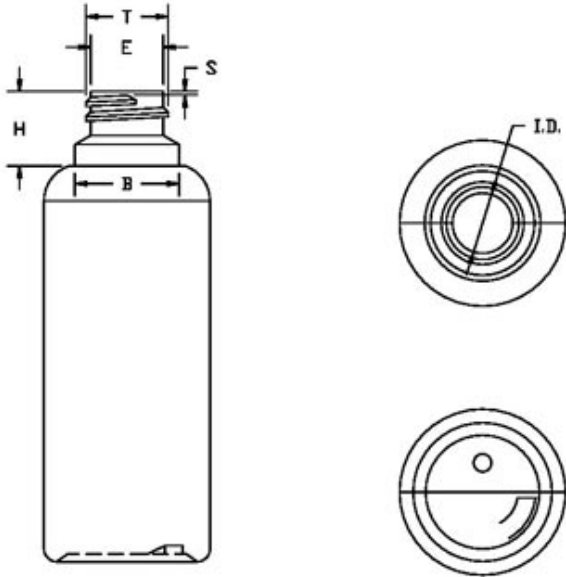


# N1004558

## 2OZ WHITE CYLINDER HDPE WITH 18MM NECK



Carton Count  
800

Size  
2.00 OZ

Overflow Capacity  
76.00 cc

Neck Diameter  
18.00

Material  
HDPE

Color  
WHITE

Shape  
CYLINDER

Item Weight  
10.00 g

Item Height x Width/Diameter  
3.99 in x 1.4 in

Blow Technology  
EXTRUSION

O.BERK® Co. provides a full range of packaging products and services for every aspect of the packaging process from conception and selection of a container and closure, through its decoration and delivery. We can help create broad differentiation through innovative packaging using either stock or designed components.