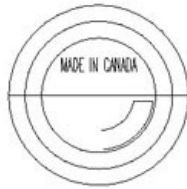
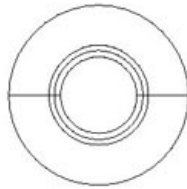
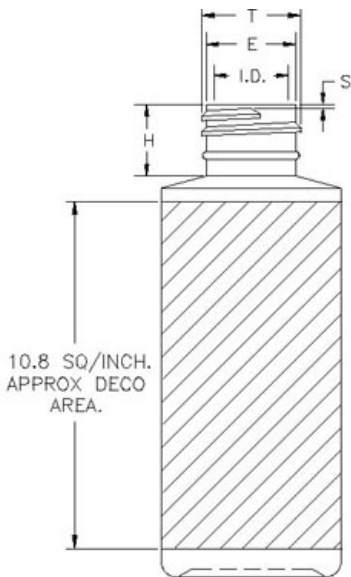


# N1004545

## 2OZ WHITE CYLINDER LDPE WITH 20-410 NECK FINISH



Size  
2.00 OZ

Overflow Capacity  
70.00 cc

Neck Diameter  
20.00

Neck Finish  
410

Material  
LDPE

Color  
WHITE

Shape  
CYLINDER

Item Weight  
10.00 g

Item Height x Width/Diameter  
3.67 in x 1.4 in

Blow Technology  
EXTRUSION

O.BERK® Co. provides a full range of packaging products and services for every aspect of the packaging process from conception and selection of a container and closure, through its decoration and delivery. We can help create broad differentiation through innovative packaging using either stock or designed components.