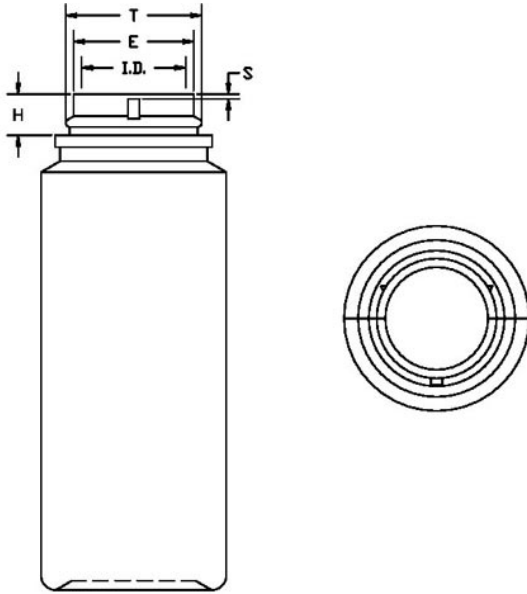


N1004539

100ML WHITE CYLINDER HDPE WITH 33-702 NECK FINISH



Carton Count
600

Size
100.00 ML

Overflow Capacity
110.00 cc

Neck Diameter
33.00

Neck Finish
702

Material
HDPE

Color
WHITE

Shape
CYLINDER

Item Weight
12.00 g

Item Height x Width/Diameter
4.22 in x 1.575 in

Blow Technology
EXTRUSION

O.BERK® Co. provides a full range of packaging products and services for every aspect of the packaging process from conception and selection of a container and closure, through its decoration and delivery. We can help create broad differentiation through innovative packaging using either stock or designed components.