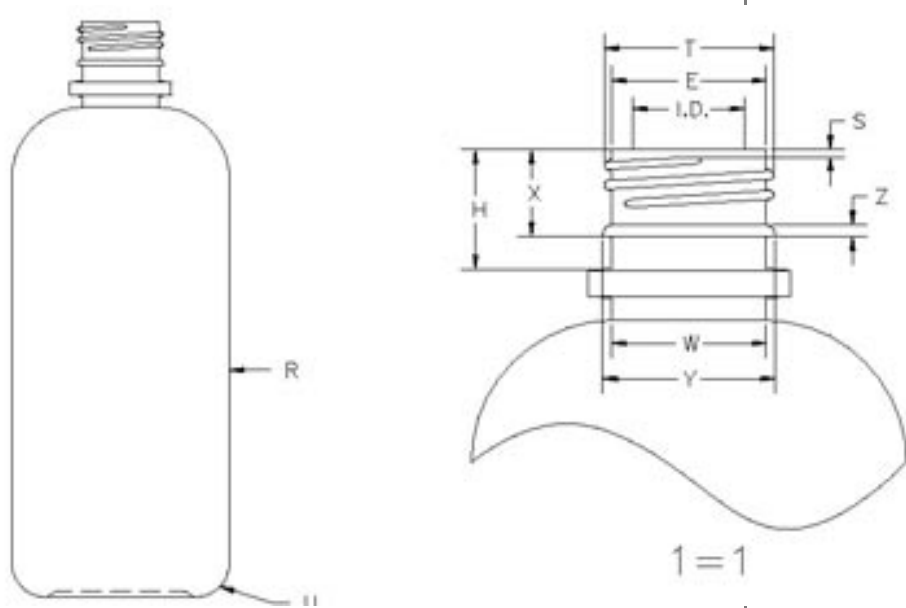


# N1004494

500ML WHITE TALL BOSTON ROUND HDPE WITH 28-410 NECK FINISH



Carton Count  
131

---

Capacity

---

Material

---



---



---

Shape  
BOSTON ROUND

Item Weight  
35.00 g

Item Height x Width/Diameter  
7.305 in x 2.77 in

Blow Technology  
EXTRUSION

O.BERK® Co. provides a full range of packaging products and services for every aspect of the packaging process from conception and selection of a container and closure, through its decoration and delivery. We can help create broad differentiation through innovative packaging using either stock or designed components.