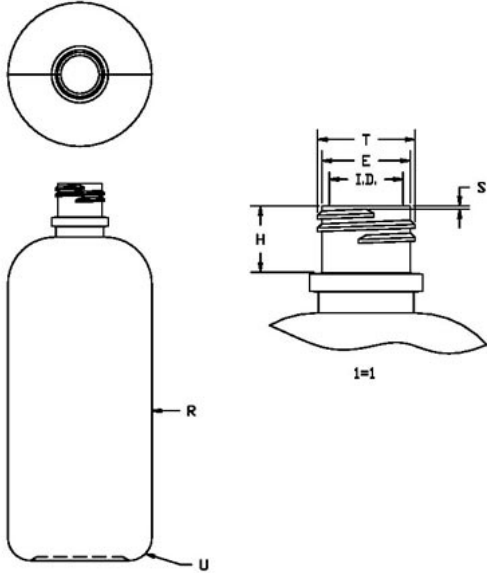


# N1004487

## 500ML WHITE TALL BOSTON ROUND HDPE WITH 24-410 NECK FINISH



Carton Count  
130

Size  
500.00 ML

Overflow Capacity  
560.00 cc

Neck Diameter  
24.00

Neck Finish  
410

Material  
HDPE

Color  
WHITE

Shape  
BOSTON ROUND

Item Weight  
35.00 g

Item Height x Width/Diameter  
7.24 in x 2.77 in

Blow Technology  
EXTRUSION

O.BERK® Co. provides a full range of packaging products and services for every aspect of the packaging process from conception and selection of a container and closure, through its decoration and delivery. We can help create broad differentiation through innovative packaging using either stock or designed components.