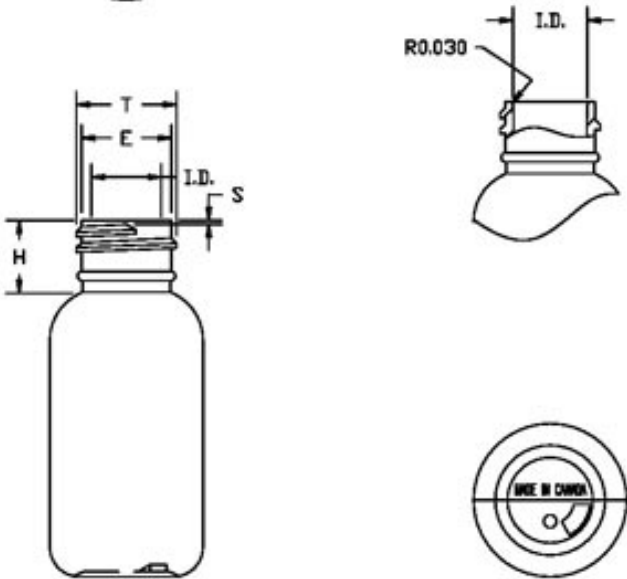


N1004382

1OZ WHITE BOSTON ROUND LDPE WITH 20-410 NECK FINISH



Carton Count
1400

OZ

Flow Capacity
0 cc

Ø Diameter
0

Ø Finish

Material
E

Color
TE

Shape
BOSTON ROUND

Item Weight
6.00 g

Item Height x Width/Diameter
2.775 in x 1.2 in

Blow Technology
EXTRUSION

O.BERK® Co. provides a full range of packaging products and services for every aspect of the packaging process from conception and selection of a container and closure, through its decoration and delivery. We can help create broad differentiation through innovative packaging using either stock or designed components.