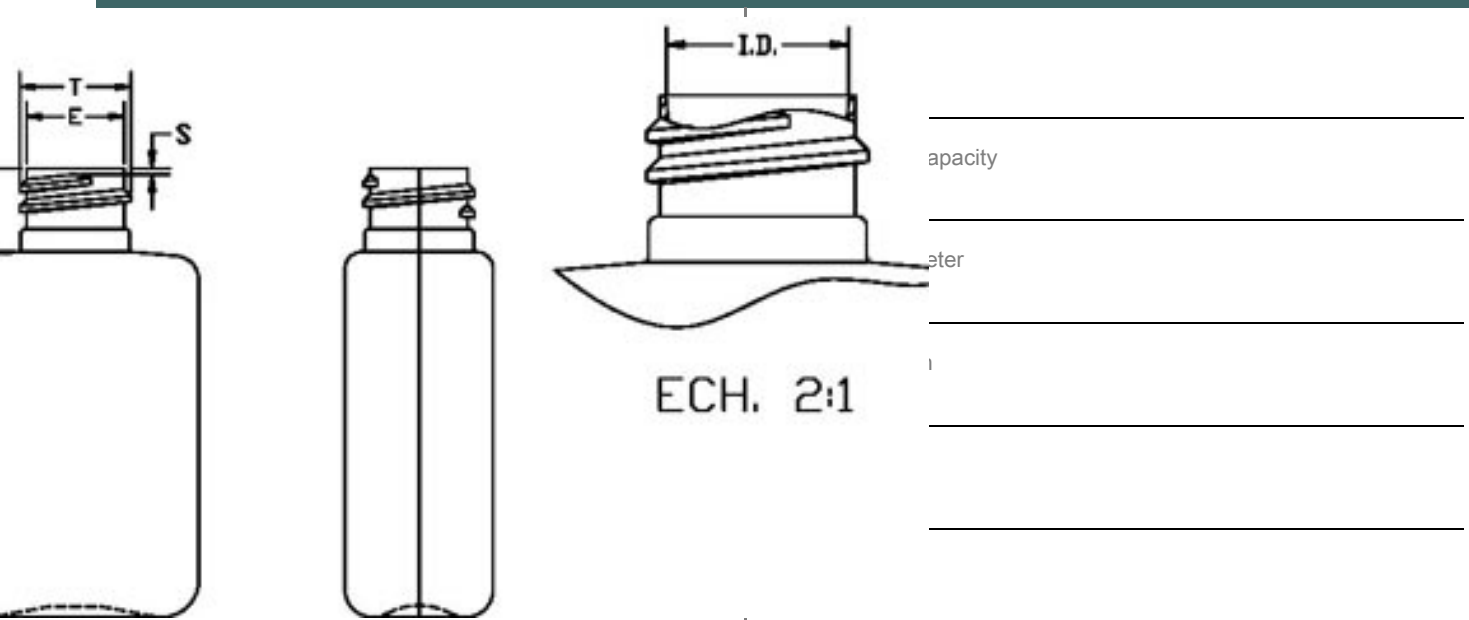


N1003648

2OZ NATURAL STRAIGHT-SIDED OVAL HDPE WITH 18-410 NECK FINISH



Capacity

Water

ECH. 2:1

Shape
OVAL

Item Weight
9.00 g

Item Height x Width/Diameter
3.74 in x 1.98 in

Blow Technology
EXTRUSION

PCR Possibility
Yes

O.BERK® Co. provides a full range of packaging products and services for every aspect of the packaging process from conception and selection of a container and closure, through its decoration and delivery. We can help create broad differentiation through innovative packaging using either stock or designed components.