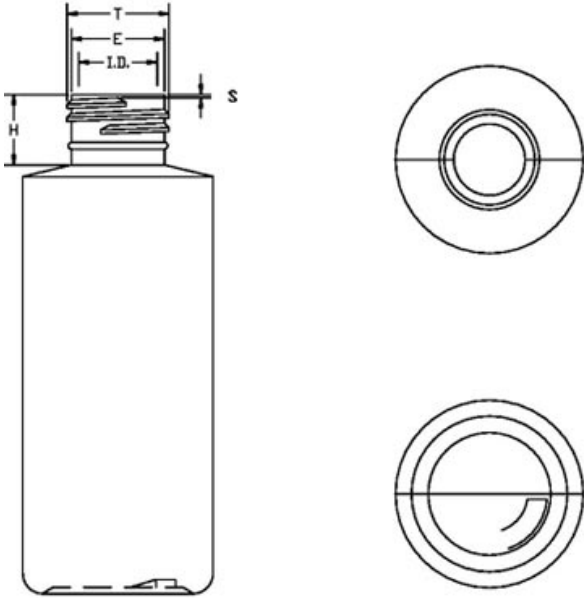


N1002759

2.5OZ NATURAL STYLELINE CYLINDER HDPE WITH 24-410 NECK FINISH



Size
2.50 OZ

Overflow Capacity
78.00 cc

Neck Diameter
24.00

Neck Finish
410

Material
HDPE

Color
NATURAL

Shape
CYLINDER

Item Weight
10.00 g

Item Height x Width/Diameter
3.85 in x 1.44 in

Blow Technology
EXTRUSION

PCR Possibility
Yes

O.BERK® Co. provides a full range of packaging products and services for every aspect of the packaging process from conception and selection of a container and closure, through its decoration and delivery. We can help create broad differentiation through innovative packaging using either stock or designed components.