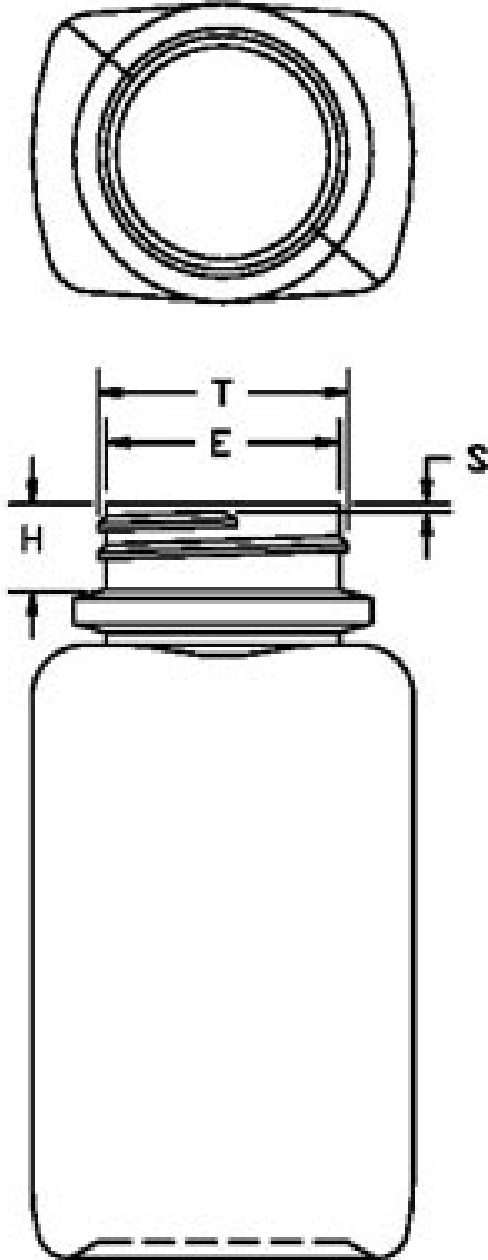


# 1004867

190ML WHITE PHARMA OBLONG HDPE WITH 38-400 NECK FINISH



Size  
190.00 ML

Overflow Capacity  
208.00 cc

Neck Diameter  
38.00

Neck Finish  
400

Material  
HDPE

Color  
WHITE

Shape  
OBLONG

Item Weight  
20.50 g

Item Height x Width/Diameter  
4.48 in x n/a in

Blow Technology  
EXTRUSION

O.BERK Co. provides a full range of packaging products and services for every aspect of the packaging process from conception and selection of a container and closure, through its decoration and delivery. We can help create broad differentiation through innovative packaging using either stock or designed components.

468