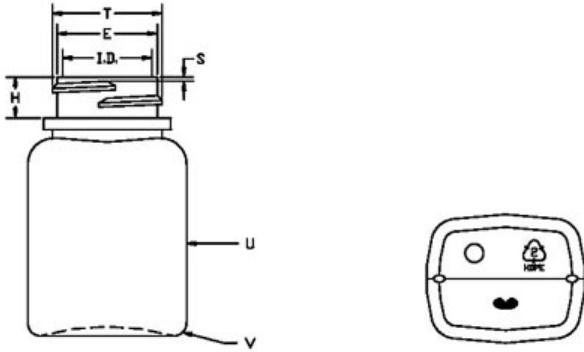


1004864

45ML WHITE PHARMA OBLONG HDPE WITH 28-400 NECK FINISH



Carton Count
1200

Size
45.00 ML

Overflow Capacity
55.00 cc

Neck Diameter
28.00

Neck Finish
400

Material
HDPE

Color
WHITE

Shape
OBLONG

Item Weight
8.00 g

Item Height x Width/Diameter
2.535 in x n/a in

Blow Technology
EXTRUSION

O.BERK Co. provides a full range of packaging products and services for every aspect of the packaging process from conception and selection of a container and closure, through its decoration and delivery. We can help create broad differentiation through innovative packaging using either stock or designed components.