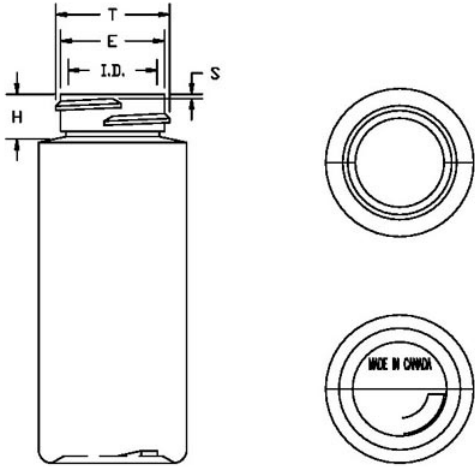


# 1004540

## 2OZ WHITE CYLINDER LDPE WITH 28-400 NECK FINISH



Carton Count  
800

Size  
2.00 OZ

Overflow Capacity  
70.00 cc

Neck Diameter  
28.00

Neck Finish  
400

Material  
LDPE

Color  
WHITE

Shape  
CYLINDER

Item Weight  
10.00 g

Item Height x Width/Diameter  
3.515 in x 1.4 in

Blow Technology  
EXTRUSION

O.BERK Co. provides a full range of packaging products and services for every aspect of the packaging process from conception and selection of a container and closure, through its decoration and delivery. We can help create broad differentiation through innovative packaging using either stock or designed components.